

Portable Basketball System Owners Manual

⚠ SAFETY INSTRUCTIONS ⚠

FAILURE TO FOLLOW THESE SAFETY INSTRUCTIONS MAY RESULT IN SERIOUS INJURY, PROPERTY DAMAGE AND WILL VOID WARRANTY.

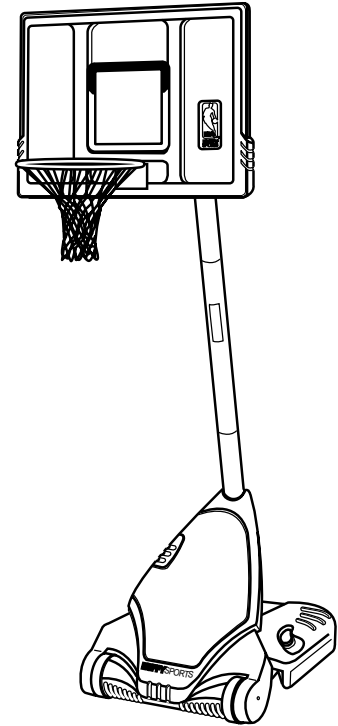
Owner must ensure that all players know and follow these rules for safe operation of the system.

To ensure safety, do not attempt to assemble this system without following the instructions carefully. Proper and complete assembly, use and supervision is essential for proper operation and to reduce the risk of accident or injury. A high probability of serious injury exists if this system is not installed, maintained, and operated properly. Check entire box and inside all packing material for parts and/or additional instructional material. Before beginning assembly, read the instructions and identify parts using the hardware identifier and parts list in this document.

- If using a ladder during assembly, use extreme caution.
- Two (2) people are recommended for this operation.
- Check base regularly for leakage. Slow leaks could cause system to tip over unexpectedly.
- Seat the pole sections properly (if applicable). Failure to do so could allow the pole sections to separate during play and/or transport of the system.
- Climate, corrosion or misuse could result in system failure.
- Minimum operational height is 6' 6" (1.98 m) to the bottom of backboard.
- This equipment is intended for home recreational use only and NOT excessive competitive play.
- Read and understand the warning label affixed to pole. Label is shown on page 12.
- The life of your basketball pole depends on many conditions. The climate, placement of the pole, the location of the pole, exposure to corrosives such as pesticides, herbicides or salts are all important.
- If technical assistance is required, contact Huffey Sports.
- Adult supervision is recommended when adjusting height

*Most injuries are caused by misuse and/or not following instructions.
Use caution when using this system.*

For more information on assembly, placement, proper use and maintenance, visit The American Basketball Council website at <http://www.smarthoops.com>.



REQUIRED TOOLS AND MATERIALS:

- Two People
- Tape Measure
- Tape
- Wood Board (Scrap)
- Wrenches: (Two) 7/16, 1/2, 9/16, 3/4 (9/16 Deep Socket w/Ext. Recommended)
- Pliers
- Sawhorse
- Step Ladder 8 ft. (2.4m)
- Garden Hose or Sand (300-325 lbs.) (136-147 kg)

In U.S. and Canada only: Have questions...don't go back to the store!

We appreciate your purchasing one of our many fine products. We are sure that you will be very satisfied with your selection. Although great care and effort have been taken, occasionally problems may occur. To ensure prompt and correct handling of any problems, or to answer any questions, please contact our Toll-Free Customer Service Number listed below. **Service will be quicker if you have your Model Number (found on carton) and assembly instructions ready when calling. PLEASE WRITE YOUR MODEL NUMBER IN THE SPACE PROVIDED ABOVE.**

Toll-Free Customer Service Number for U.S: 1-800-558-5234 Canada Only: 1-800-284-8339
Internet Address: <http://www.huffysports.com>





WARNING

FAILURE TO FOLLOW THESE WARNINGS MAY RESULT
IN SERIOUS INJURY AND/OR PROPERTY DAMAGE.

*Owner must ensure that all players know and follow
these rules for safe operation of the system.*

- DO NOT HANG on the rim or any part of the system including backboard, support braces or net.
- During play, especially when performing dunk type activities, keep player's face away from the backboard, rim and net. Serious injury could occur if teeth/face come in contact with backboard, rim or net.
- Do not slide, climb, shake or play on base and/or pole.
- After assembly is complete, fill system completely with water or sand and stake to the ground. Never leave system in an upright position without filling base with weight, as system may tip over causing injuries.
- When adjusting height or moving system, keep hands and fingers away from moving parts.
- Do not allow children to move or adjust system.
- During play, do not wear jewelry (rings, watches, necklaces, etc.). Objects may entangle in net.
- Surface beneath the base must be smooth and free of gravel or other sharp objects. Punctures cause leakage and could cause system to tip over.
- Keep organic material away from pole base. Grass, litter, etc. could cause corrosion and/or deterioration.
- Check pole system for signs of corrosion (rust, pitting, chipping) and repaint with exterior enamel paint. If rust has penetrated through the steel anywhere, replace pole immediately.
- Check system before each use for proper ballast, loose hardware, excessive wear and signs corrosion and repair before use.
- Check system before each use for instability.
- Do not use system during windy and/or severe weather conditions; system may tip over. Place system in the storage position and/or in an area protected from the wind and free from personal property and/or overhead wires.
- Never play on damaged equipment.
- See instruction manual for proper installation and maintenance.
- When moving system, use caution to keep mechanism from shifting.
- Keep pole top covered with cap at all times.
- Do not allow water in tank to freeze. During sub-freezing weather add non-toxic antifreeze, sand or empty tank completely and store. (Do not use salt.)
- Use extreme caution if placing system on sloped surface. System may tip over more easily.

HUFFY® SPORTS

In the U.S.: 1-800-558-5234 and Canada: 1-800-284-8339

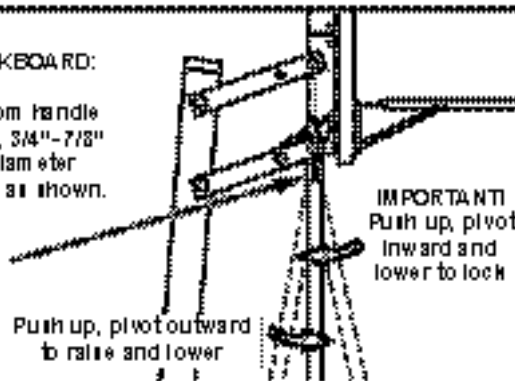
201241 2/99



HEIGHT ADJUSTMENT

TO ADJUST BACKBOARD:

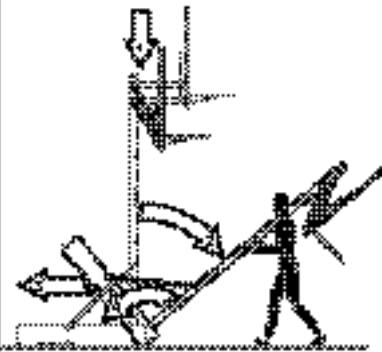
Insert end of broom handle or wooden dowel, 3/4" - 7/8" (19 mm - 22 mm) diameter into release lever as shown.



Push up, pivot outward to raise and lower

IMPORTANT!
Push up, pivot inward and lower to lock

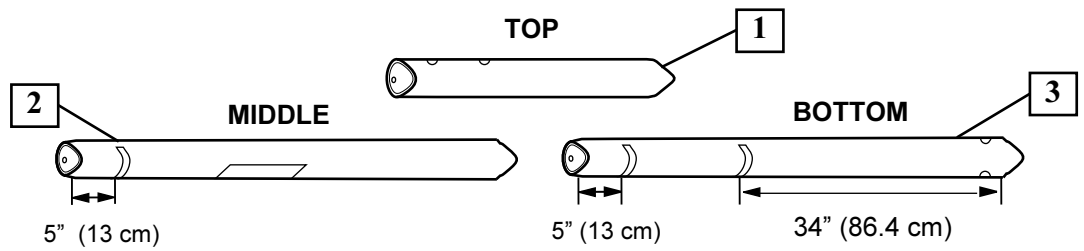
MOVING SYSTEM



1. Adjust basketball backboard height to lowest position.
2. While holding pole, rotate basketball system forward until wheels engage with ground.
3. Move basketball system to desired location.
4. Carefully rotate basketball system upright.
5. Reattach ground restraint and check system for stability.

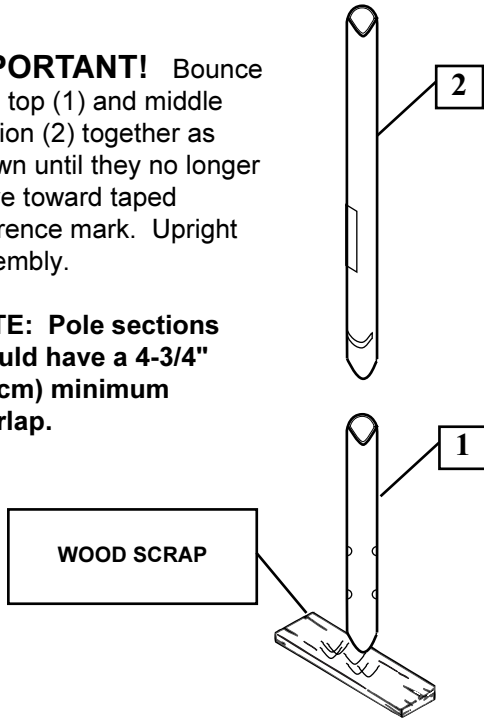
20126+ 358

1. Mark pole sections with tape as shown.



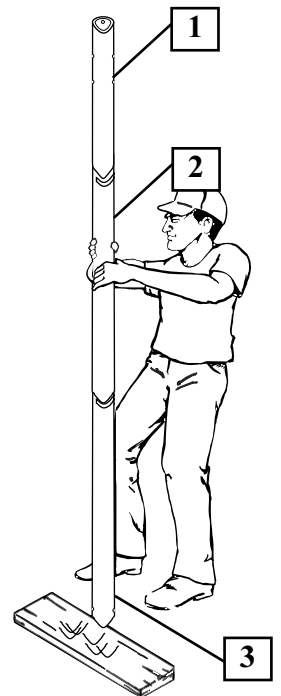
2. IMPORTANT! Bounce pole top (1) and middle section (2) together as shown until they no longer move toward taped reference mark. Upright assembly.

NOTE: Pole sections should have a 4-3/4" (12 cm) minimum overlap.

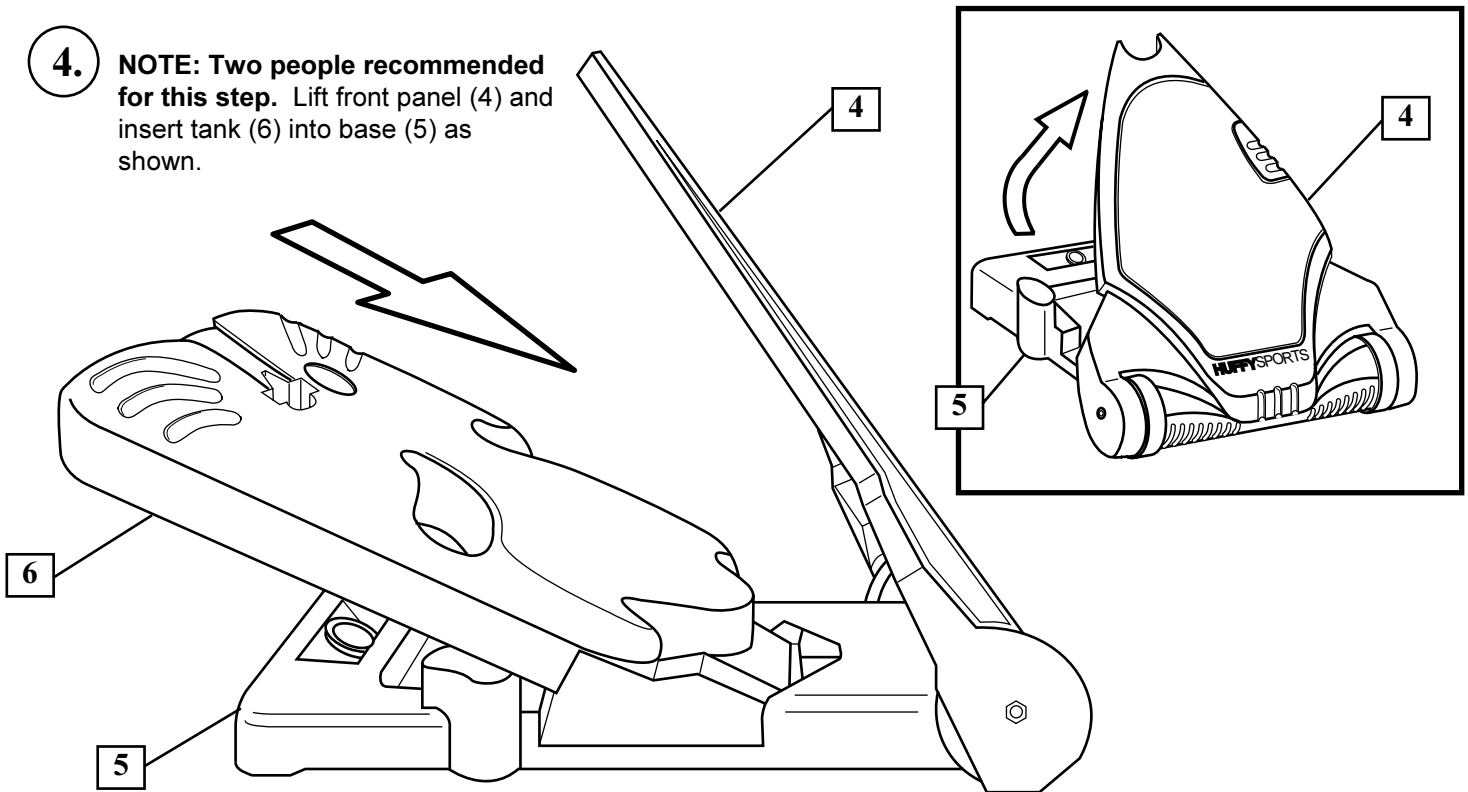


3. IMPORTANT! Add bottom pole section (3) to assembly as shown. Bounce pole sections together 3 times, rotate 90° and repeat rotation bounce procedure. Continue this step until pole sections are completely tight.

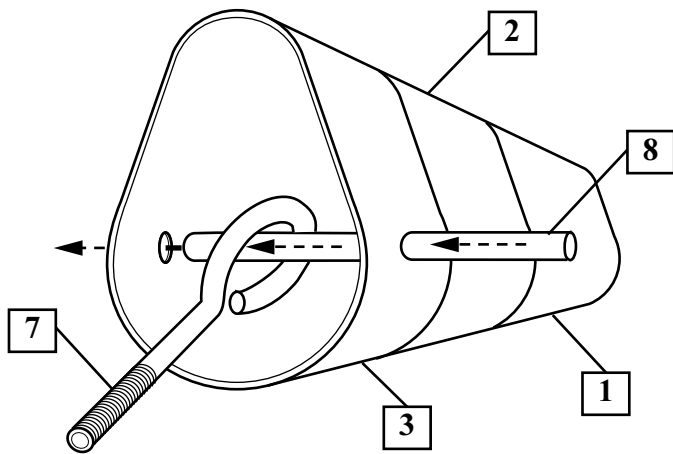
NOTE: Pole sections should have a 4-3/4" (12 cm) minimum overlap.



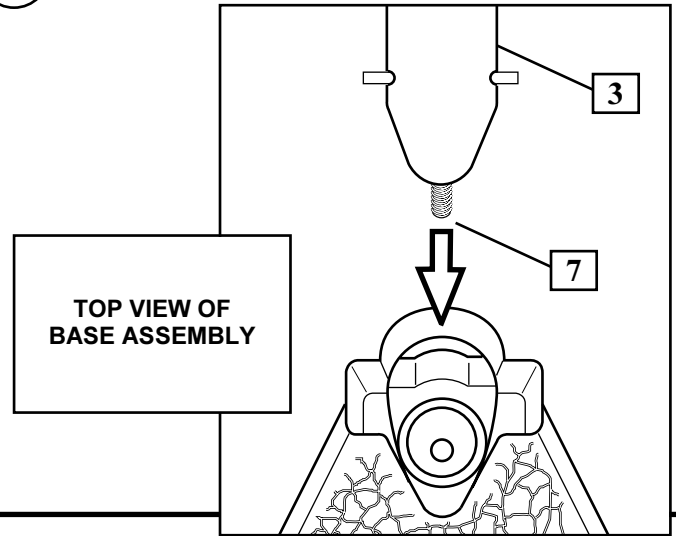
4. NOTE: Two people recommended for this step. Lift front panel (4) and insert tank (6) into base (5) as shown.



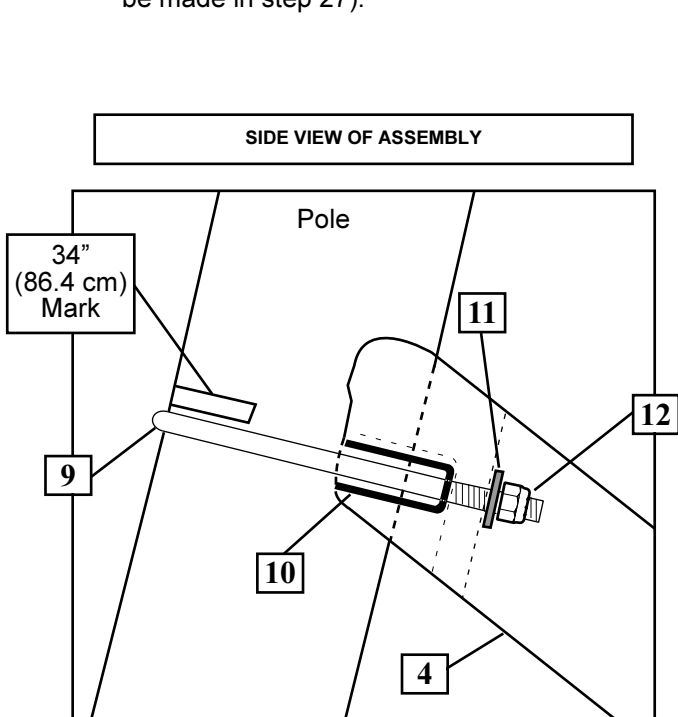
5. Install rod (8) thru holes in bottom pole section (3) and eyebolt (7) as shown.



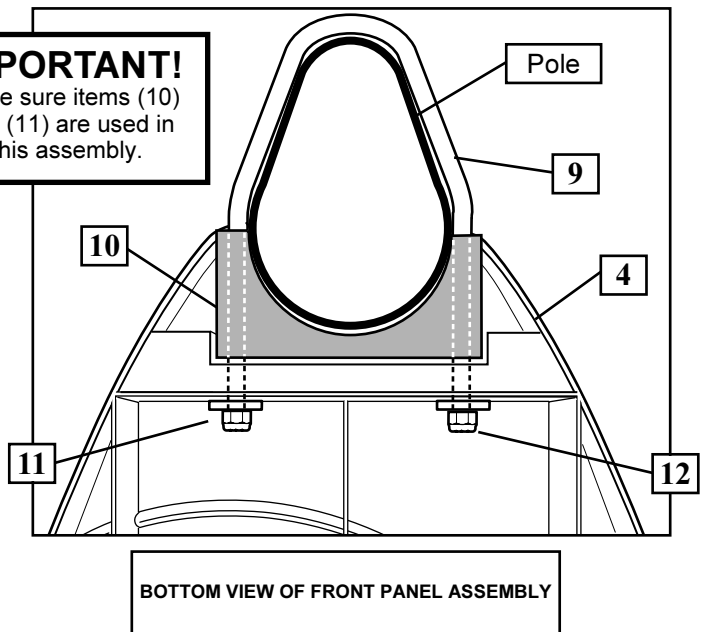
6. Insert pole into base assembly as shown.



7. Bring pole forward and secure pole to front panel (4) at 34" (86.4 cm) mark on pole. Tighten nuts evenly until snug. **NOTE: Equal rotations on each side of u-bolt are necessary.** (Final adjustment to level the rim will be made in step 27).

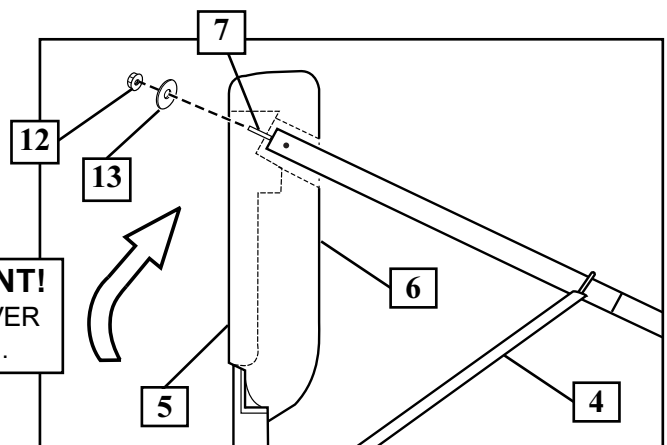


IMPORTANT!
Make sure items (10) and (11) are used in this assembly.



8. **NOTE: Two people recommended for this step.** Tilt unit forward using caution and secure pole bottom to base using nut (12) and disk (13), a deep socket is recommended.

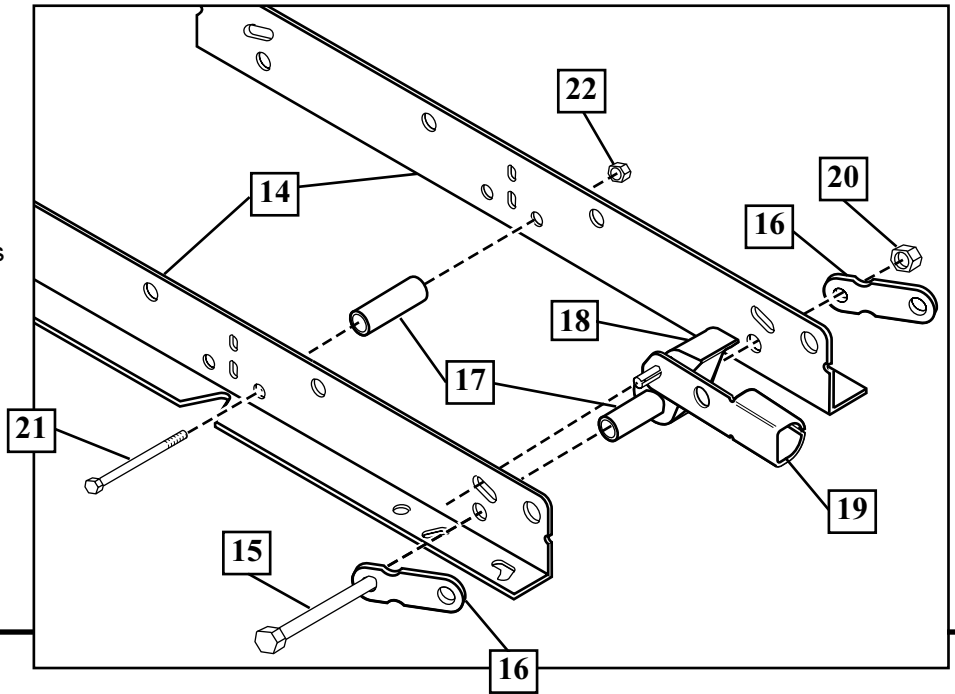
IMPORTANT!
DO NOT OVER TIGHTEN.



9. IMPORTANT! Test fit bolts into holes of brackets (14) and carefully rock them in a circular motion to ream out paint from holes if necessary.

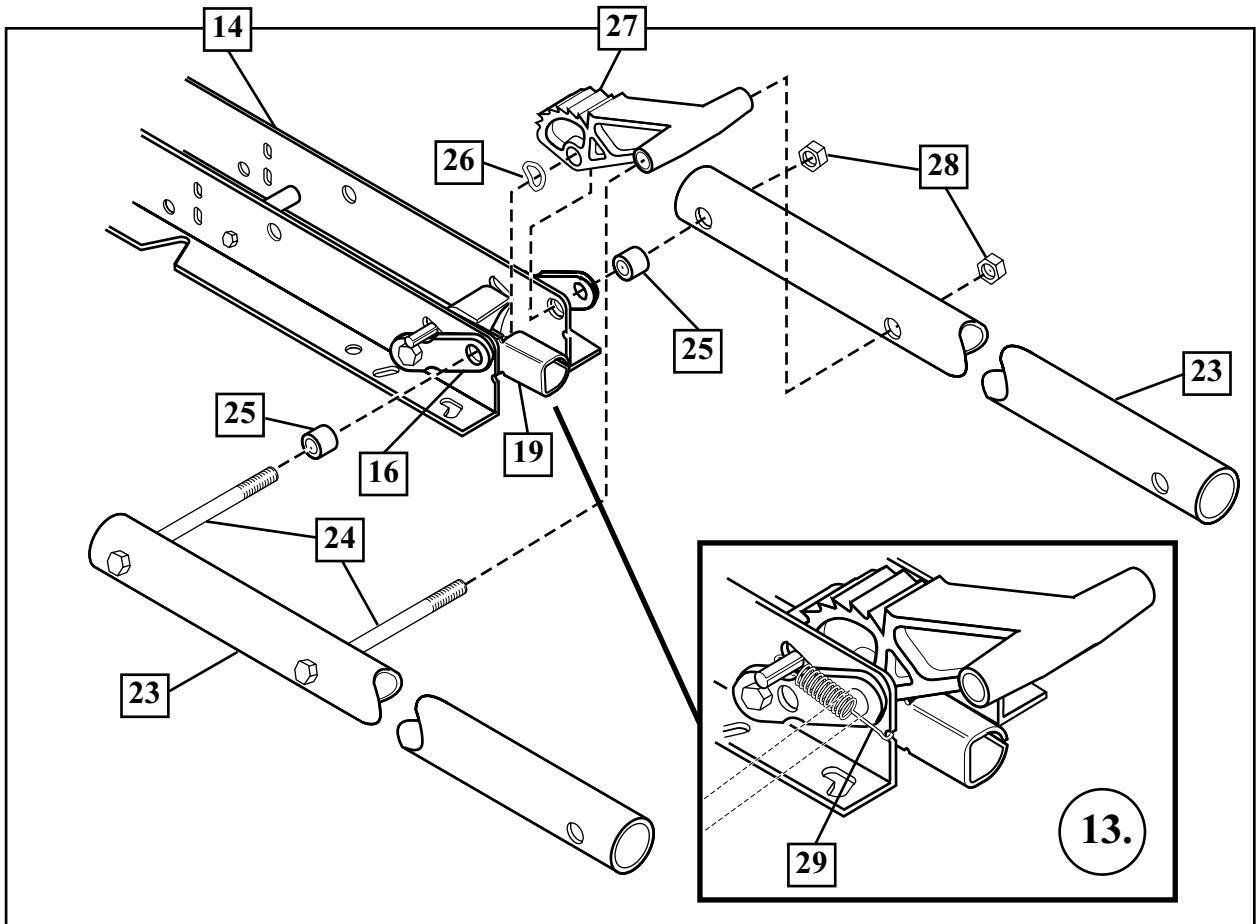
10. IMPORTANT! Finger tighten nuts and bolts until instructed to fully tighten later.

11. Fit spacer (17) into pawl and fit pin of pawl through end slot of release lever (19).

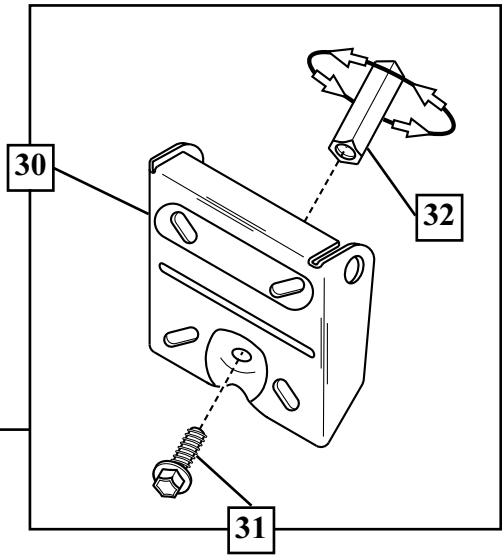


12. IMPORTANT! Bolt (24) must be inserted through tube (23), spacer (25), support bracket (16), board bracket (14), release lever (19), wave washer (26), and then ratchet (27). Fully tighten all nuts and bolts after assembly.

13. Use pliers to stretch spring (29) into position.

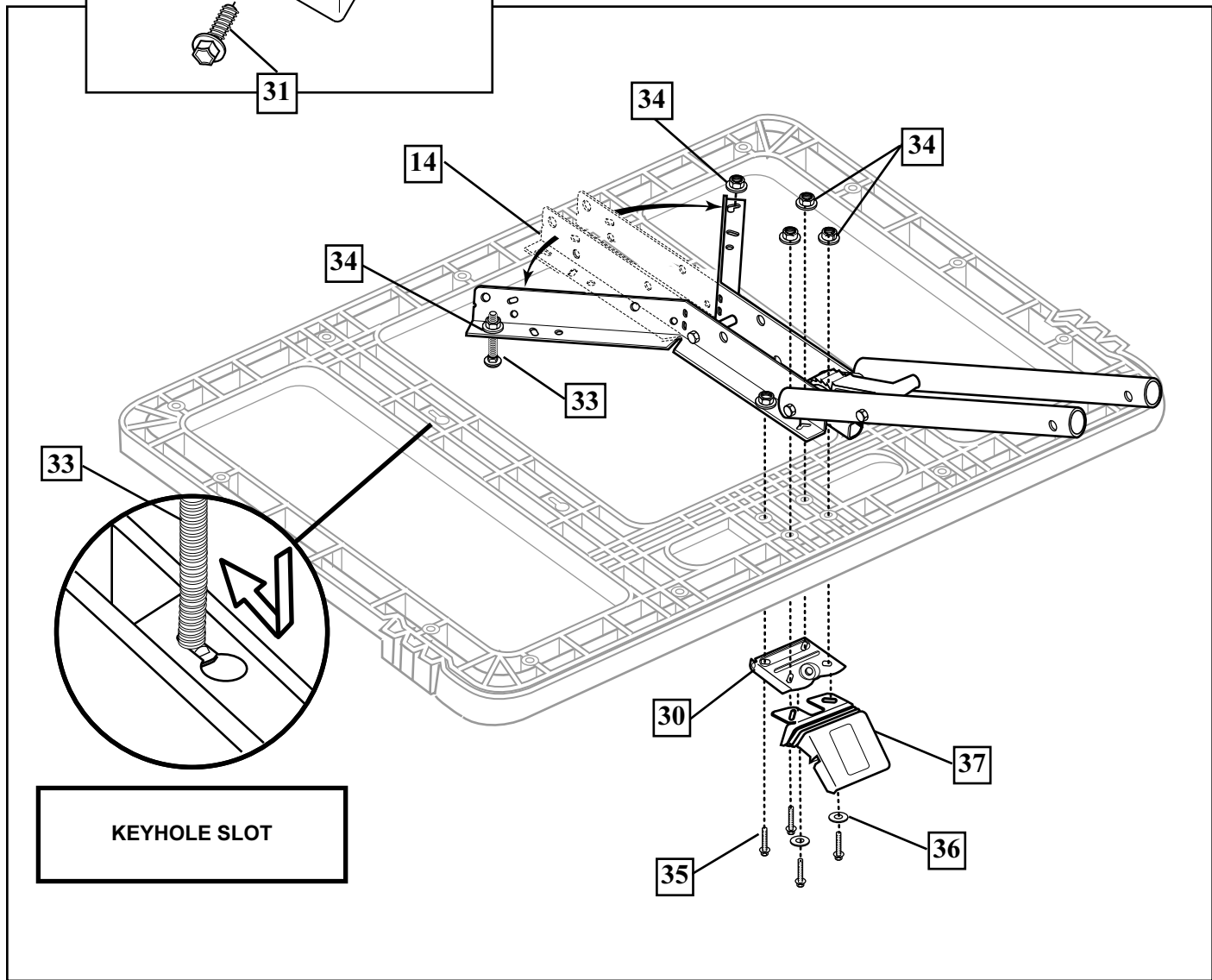


14. Assemble rim bracket (30).
Tighten completely.

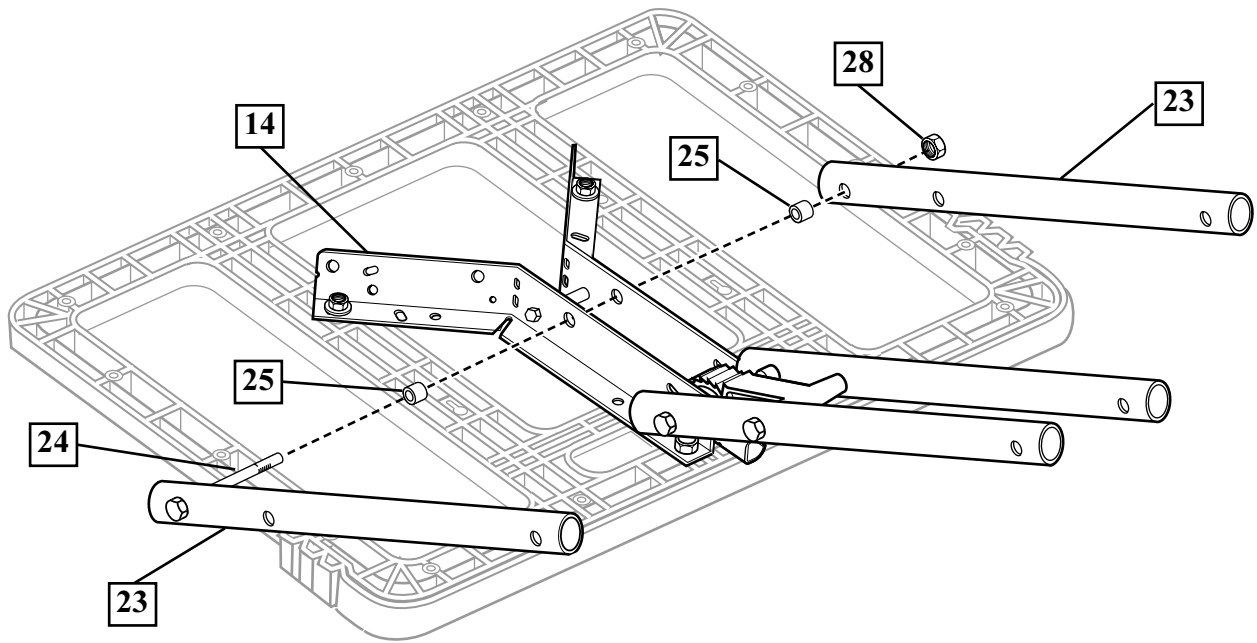


15. Start with nuts (34) flush against bracket (14), secure rim assembly and bracket (14) to backboard. **NOTE: Rim mounting nuts and bolts supplied with rim hardware.**

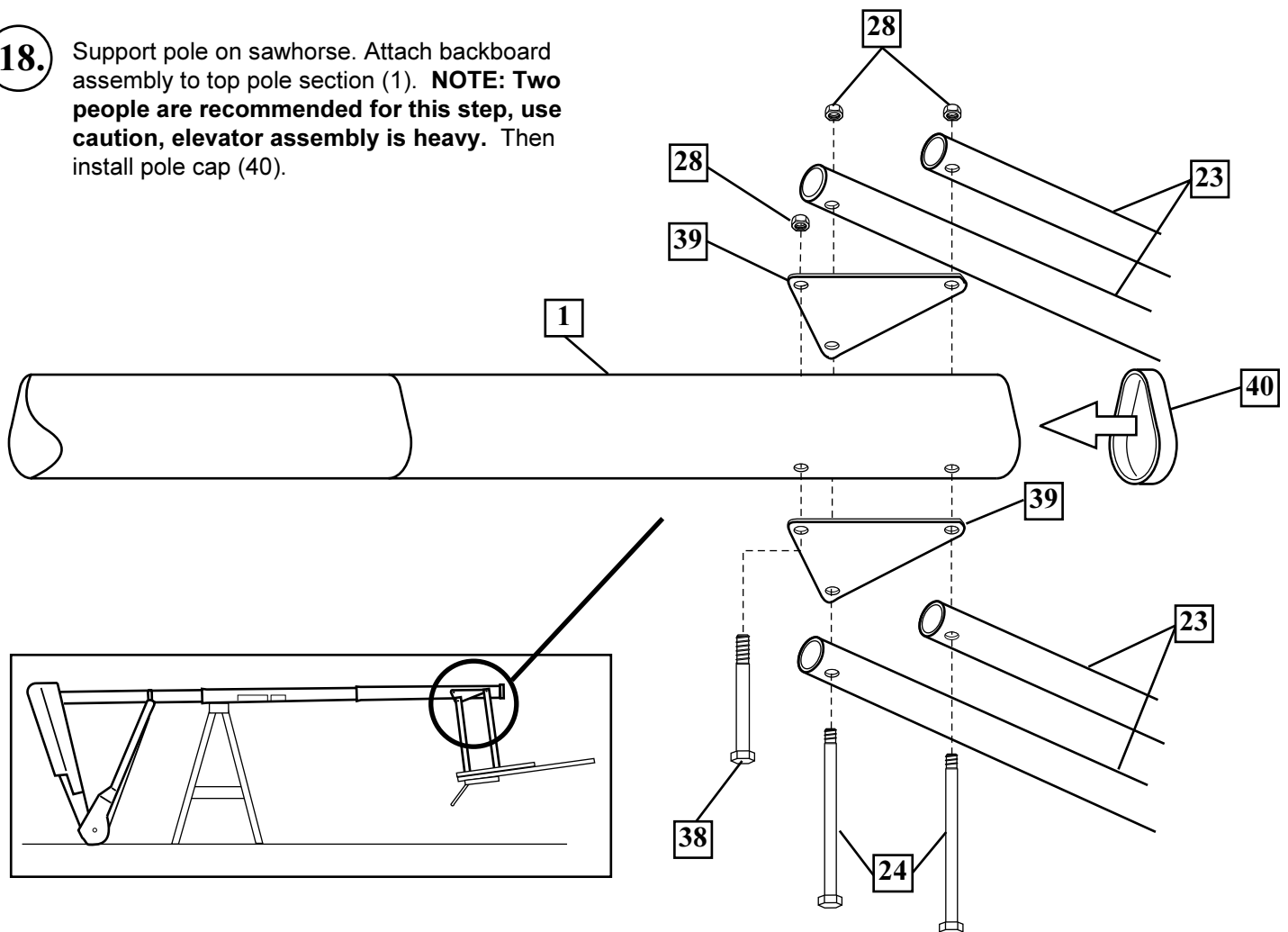
16. Bend bracket (14) to line up with keyhole slots in channel. Loosely assemble bolts (33) and nuts (34) to bracket (14). Insert bolt heads into keyhole slots, slide upward and secure.



17. Assemble elevator tubes (23) to backboard bracket.



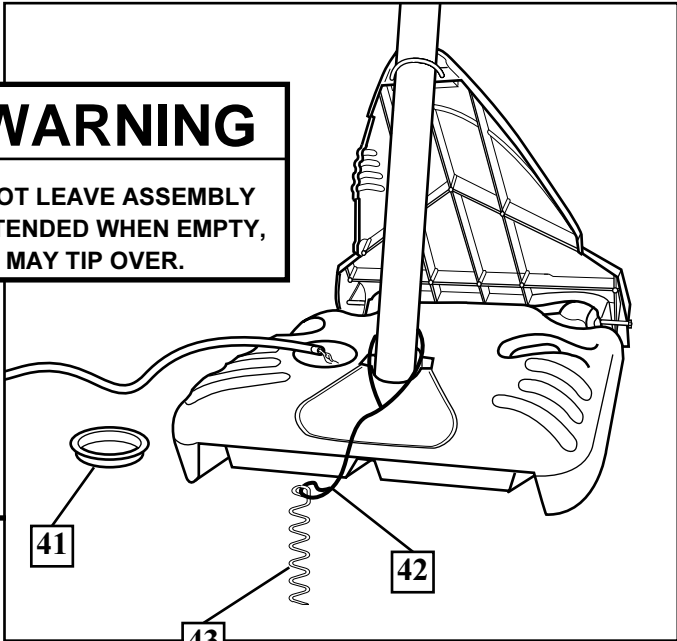
18. Support pole on sawhorse. Attach backboard assembly to top pole section (1). **NOTE: Two people are recommended for this step, use caution, elevator assembly is heavy.** Then install pole cap (40).



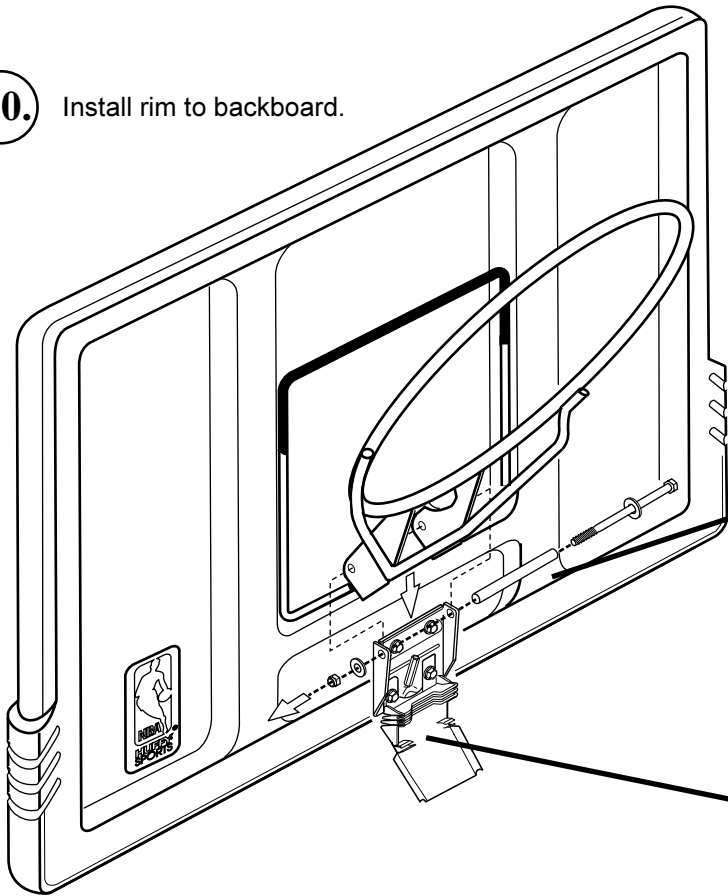
19. Roll completed assembly to desired position, fill base with 25 gallons (95 liters) of water or approx. 300-325 lbs. of sand and snap cap (41) in place. Secure assembly to ground using rope (42) and ground screw (43).

IMPORTANT!
Add two gallons (7.5 liters) of NON-TOXIC ANTIFREEZE in sub-freezing climates.

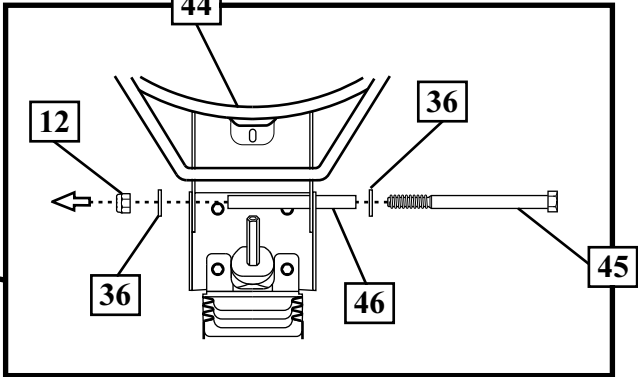
WARNING
DO NOT LEAVE ASSEMBLY UNATTENDED WHEN EMPTY, MAY TIP OVER.



20. Install rim to backboard.

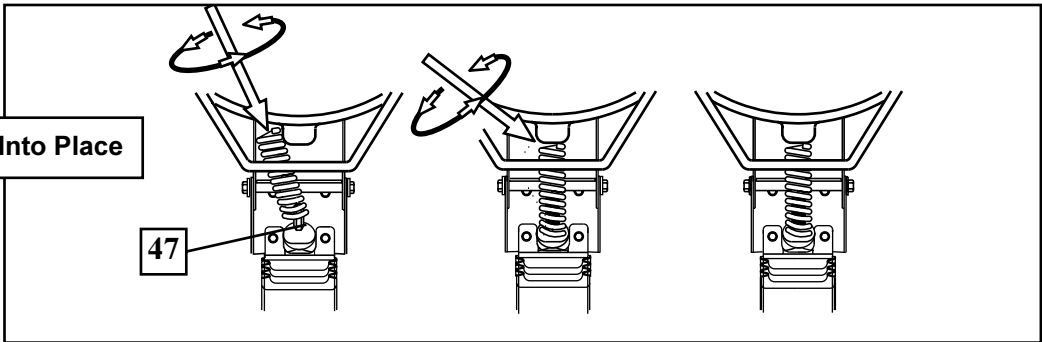


Slide Spacer and Bolt Through Bracket

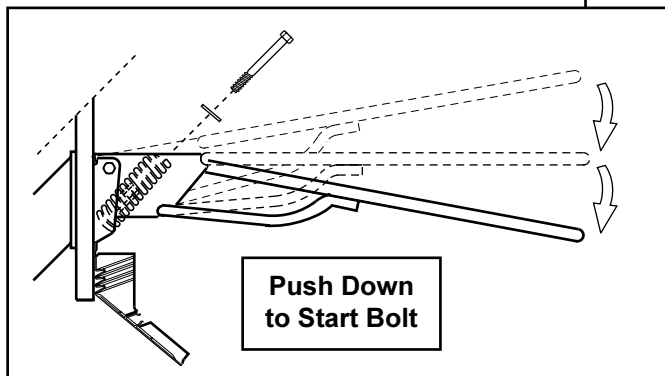
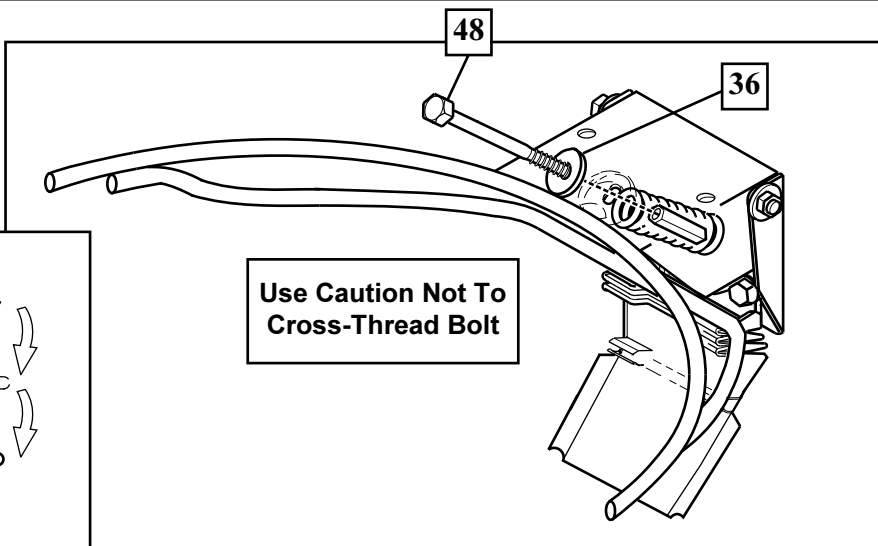


21. Install spring (47).

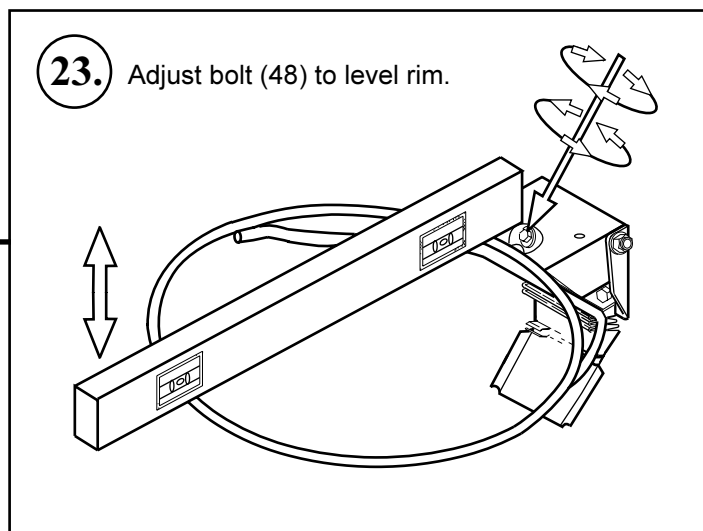
Twist and Fit Into Place



22. Install bolt (48) and adjust to level rim.

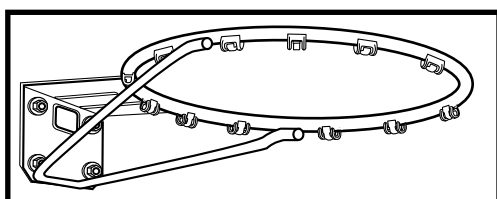


23. Adjust bolt (48) to level rim.

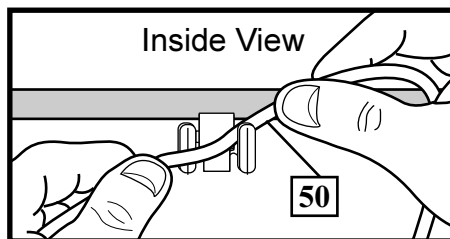
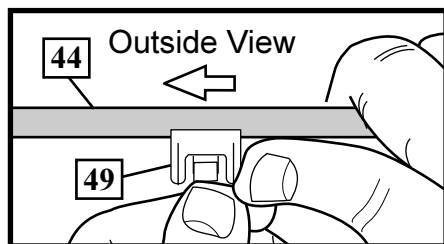


24. Install net clips (49) and net (50).

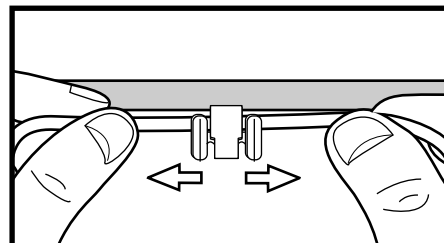
The Quick Clip™ rapid release net system lets the net pull away from the rim. This reduces the risk of player injury or property damage. However, improper installation or a ball making contact at an odd angle may disengage the net clip from the goal rim. Usually, the clip is reinstalled with little or no problem. We hope that you agree this inconvenience is minor when compared to the safety of the players.



a. The two outer hooks on the clip must face towards inside of goal rim. Insert the larger hole in clip onto rim stud, then slide net clip to the left, locking or snapping securely into position. **NOTE: Clips should not slide with ease. It is very important that the net clips are in the locked position before going on to next step.**



b. Install net, as shown. **IMPORTANT! MAKE SURE NET IS HELD BY ALL THREE HOOKS ON THE NET CLIP.**

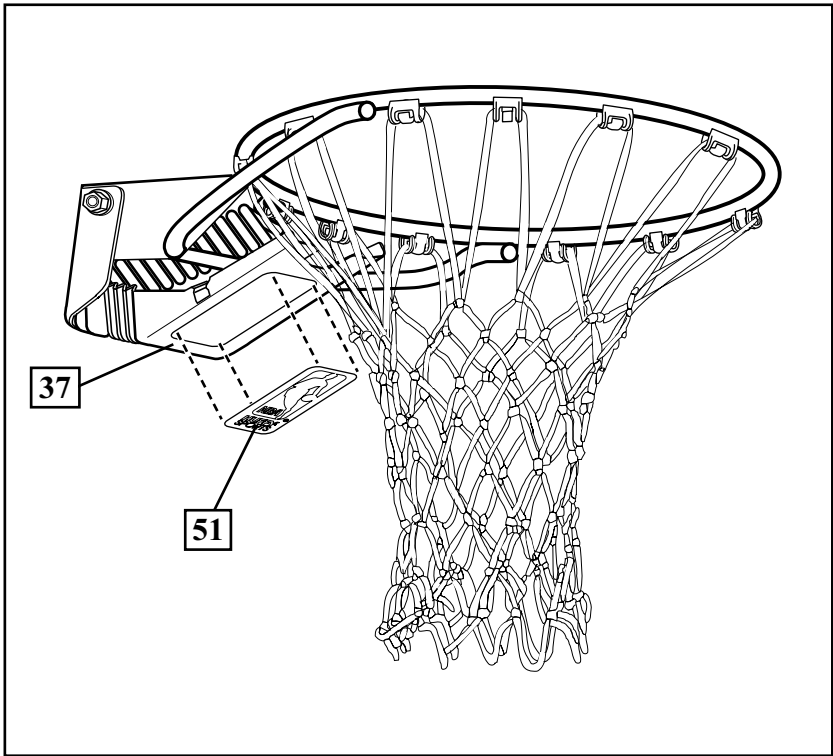


NOTE: Stretching net up then pulling side to side will help snap net under center hook.

WARNING: Use of this product without proper installation of net clips, or when all net clips are not present could result in bodily harm. Be sure to follow directions carefully.

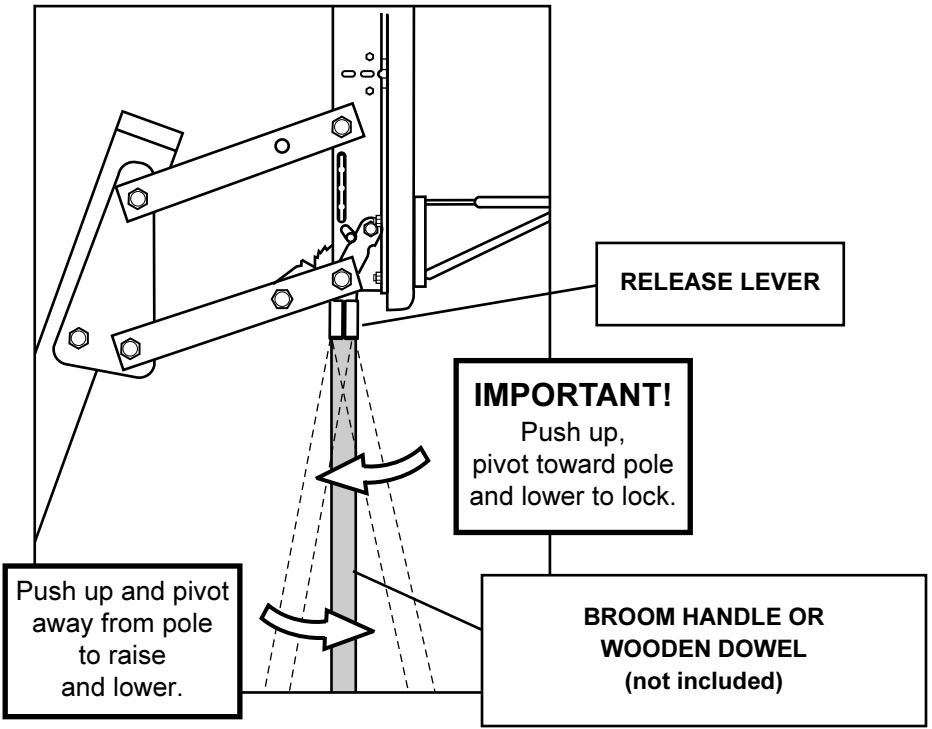


- 25.** Apply logo label (51). Then snap cover (37) closed.

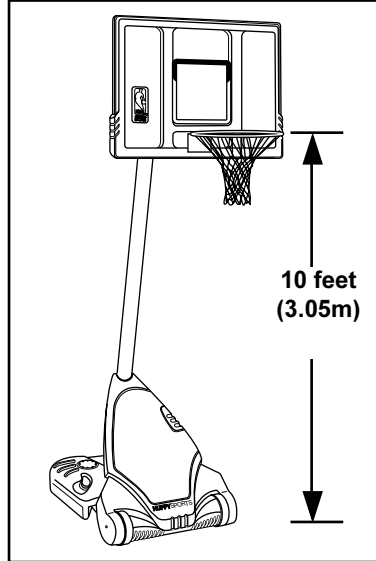


Adjusting the Height to any of the Seven Positions

- 26.** Insert the end of a broom handle or wooden dowel 3/4"-7/8" (19-22 mm) diameter into the release lever.

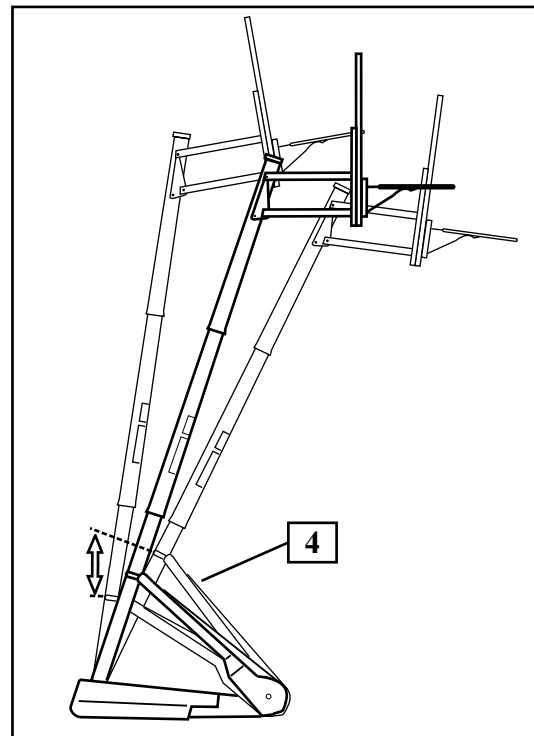


REGULATION RIM HEIGHT IS 10 FEET (3.05M).
(10 fot) i NBA.



27. Make final adjustments to level the rim. If the backboard and rim are tipped back, raise front panel (4) until level and tighten completely. **NOTE: Equal rotations on each side of u-bolt are necessary.**

If backboard and rim are tipped forward, lower front panel (4) until level and tighten. Maximum adjustment travel is 32" to 36" (81-91cm) from bottom of pole to top of panel.

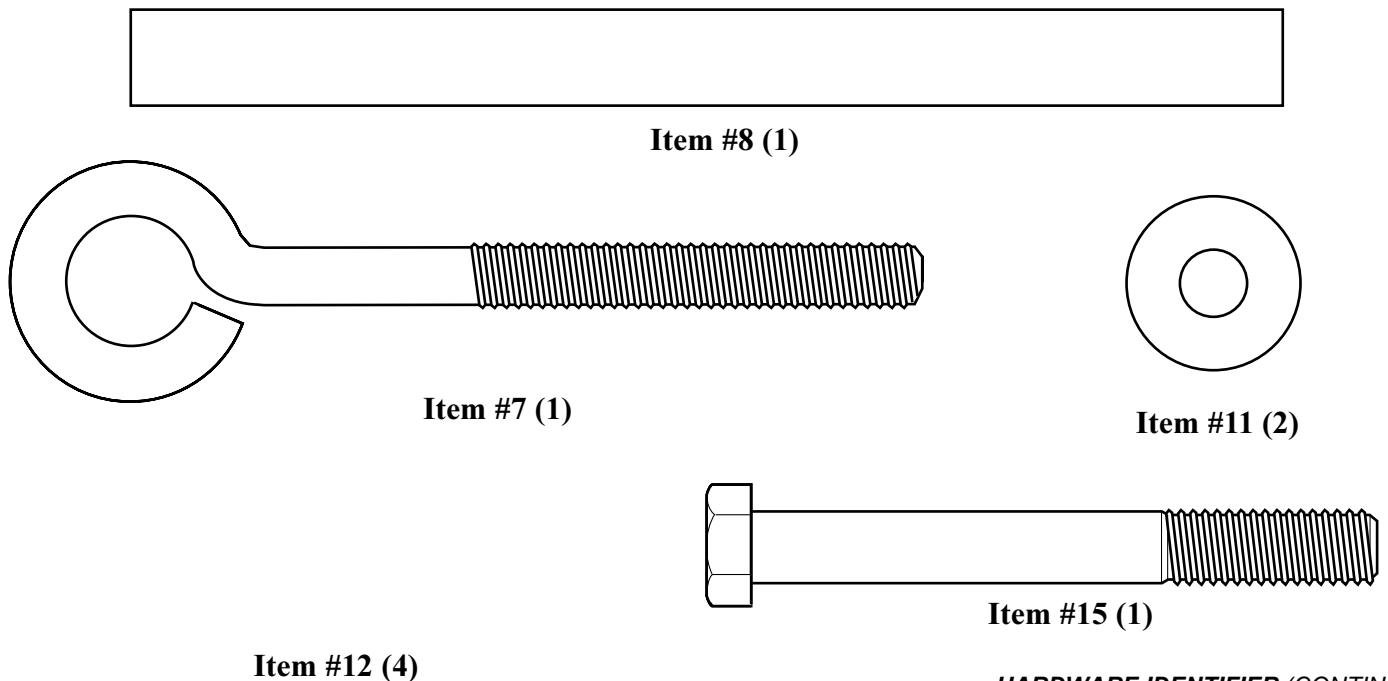


PARTS LIST

<u>Item</u>	<u>Qty.</u>	<u>Part No.</u>	<u>Description</u>	<u>Item</u>	<u>Qty.</u>	<u>Part No.</u>	<u>Description</u>
1	1	982416	Top Pole Section, (Black)	29	1	201125	Spring
2	1	902415	Middle Pole Section, (Black)	30	1	900855	Rim Bracket, (Black)
3	1	952415	Bottom Pole Section, (Black)		1	900854	Rim Bracket, (Red)
4	1	202422	Front Panel	31	1	202791	Bolt, Hex Flange, 3/8-16 x 3/4
5	1	202420	Base	32	1	202793	Nut Coupling, 3/8-16 x 1-3/4
6	1	202475	Tank	33	2	203217	Carriage Bolt, 5/16-18 x 1-1/2
7	1	202446	Eyebolt 3/8-16 x 4-3/4 Long	34	6	203100	Hex, Flange Nut, 5/16-18
8	1	202428	Rod, 1/2 O.D. x 6 Long	35	4	201611	Bolt, Hex Flange, 5/16-18 x 3
9	1	202431	U-bolt, Teardrop, 3/8-16 x 5-7/16	36	5*	203309	Washer 1" O.D.
10	1	202460	Clamp, Saddle	37	1	202899	Spring Cover, (Black)
11	2	203218	Washer, 5/16		1	202898	Spring Cover, (Red)
12	4	203063	Locknut, Nylon Insert, 3/8-16	38	1	201139	Bolt, Hex Head, 1/2-13 x 4-1/2 Long
13	1	202821	Disk, 2-3/4 OD x 3/16 Thick	39	2	900867	Plate, Triangle, (Black)
14	2	900846	Board Bracket, (Black)	40	1	202430	Pole Cap, Teardrop, (Black)
15	1	201122	Bolt, Hex Head, 3/8-16 X 3-1/4 Long	41	1	202471	Plug, Tank Cap, (Black)
16	2	201133	Support Bracket	42	1	202438	Black, Nylon Rope
17	2	201129	Spacer, 1-3/4 Long	43	1	203124	Ground Screw
18	1	800878	Pawl & Pin Assembly	44	1	900931	Rim, (Black)
19	1	201126	Release Lever		1	900930	Rim, (Red)
20	1	201124	Locknut, Hex Head, 3/18-16	45	1	202789	Bolt, Hex, 3/8-16 x 6
21	1	240017	Bolt, Hex Head, 1/4-20 x 2-1/4 Long	46	1	202790	Spacer, 5-1/4 x 1/2 O.D.
22	1	203493	Locknut, Hex Head, 1/4-20	47	1	202788	Spring, Black Powder Coated
23	4	900843	Elevator Tube, (Black)	48	1	202792	Bolt, 3/8-16 x 3-1/2
24	5	201640	Bolt, Hex Head, 1/2 x 7-1/4 Long	49	12*	200121	Clip, Net Holder, (Black)
25	4	201642	Plastic, Spacer		12*	200120	Clip, Net Holder, (Red)
26	1	201140	Wave Washer	50	1		Net
27	1	201156	Ratchet	51	1	202795	Label, Logo
28	6	201646	Locknut, Hex Head, 1/2-13	52	1	201264	Label, Height Adjustment and Moving

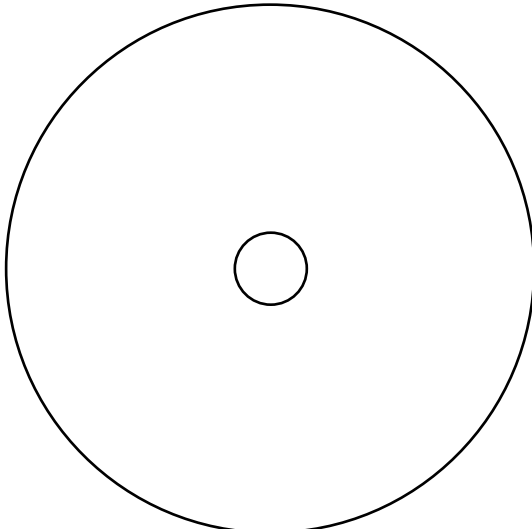
* YOU MAY HAVE EXTRA PARTS WITH THIS MODEL.

HARDWARE IDENTIFIER

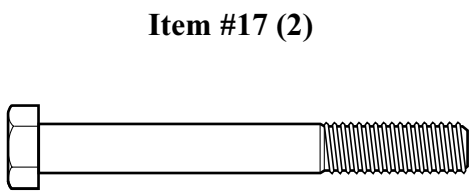


HARDWARE IDENTIFIER (CONTINUED)

HARDWARE IDENTIFIER (CONTINUED)

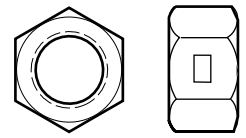


Item #13 (1)

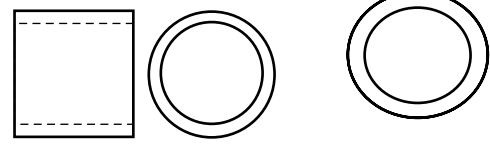


Item #17 (2)

Item #21 (1)

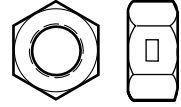


Item #20 (1)

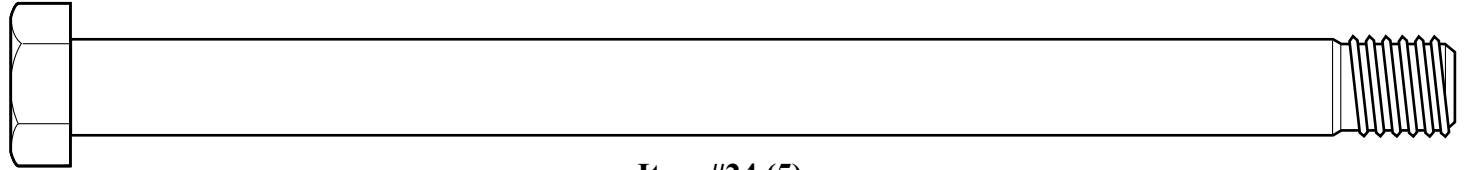


Item #25 (4)

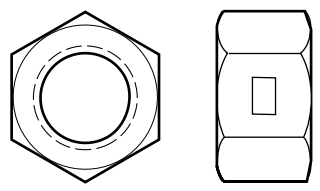
Item #26 (1)



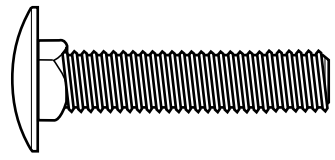
Item #22 (1)



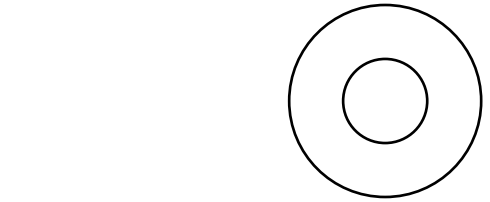
Item #24 (5)



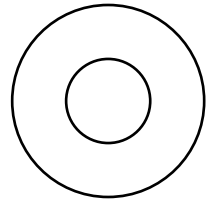
Item #28 (6)



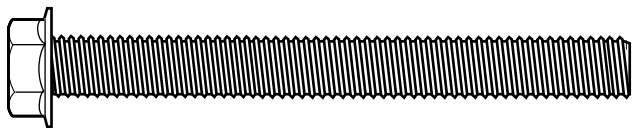
Item #33 (2)



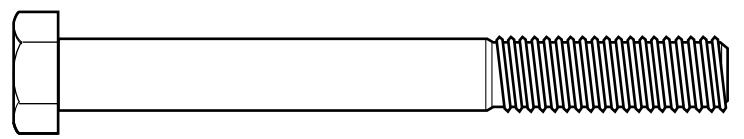
Item #34 (6)



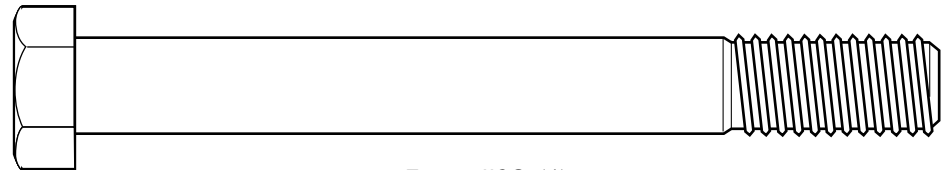
Item #36 (5)*



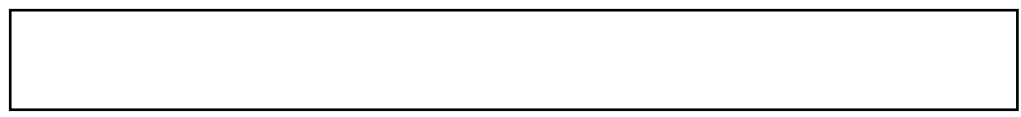
Item #35 (4)



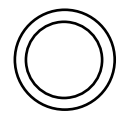
Item #48 (1)



Item #38 (1)



Item #46 (1)



* YOU MAY HAVE EXTRA PARTS WITH THIS MODEL.